



ATTENTION

If any components of this unit are broken,
do not operate properly, or for product returns,
please contact Pragotrade at

1-800-814-4895

*Outside the U.S. call 440-638-3131.
Fax: 440-638-3127*

*Exclusively imported by Pragotrade LLC, Strongsville, Ohio
www.pragotrade.com*



**C O M M E R C I A L
WHEATGRASS JUICER
INSTRUCTION MANUAL**

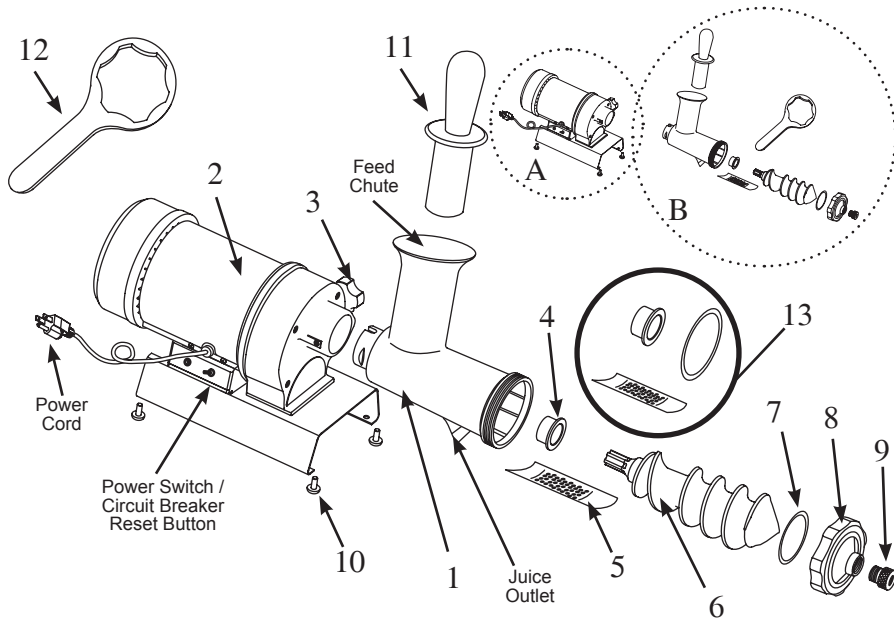
Model No. 08-5000



E302908
ANSI/NSF8
Commercial
Wheatgrass Juicer
33ZJ



LISTED
E258759
32 AP



COMPONENT LIST

DIAGRAM NUMBER	PART DESCRIPTION	PART NUMBER
1	Head	08-5010
2	Juicer Motor	N/A
3	Head Locking Screw	08-2005
4	Auger Bushing	See Replacement Parts Kit
5	Screen	See Replacement Parts Kit
6	Auger	08-5015
7	Rubber Gasket	See Replacement Parts Kit
8	Head Aligning Cap	08-5017
9	Waste Valve	08-5018
10	Rubber Feet (4)	08-2007
11	Stomper	08-5020
12	Head Aligning Cap Wrench	08-5021
Not Shown	Toggle Switch Rubber Boot	08-5012
13	Replacement Parts Kit	08-5022
	Screen (2)	
	Rubber Gasket (2)	
	Auger Bushing (2)	
A	Complete Motor Assembly	08-5028
B	Complete Head Assembly	08-5029

If any parts are missing or damaged, the unit does not operate properly or to replace worn-out parts call Pragotrade LLC toll free at

1-800-814-4895

Monday thru Friday 8:00am-5:00pm EST.
Outside the U.S. call 440-638-3131

WARRANTY INFORMATION

SAVE THIS WARRANTY INFORMATION FOR YOUR RECORDS!

Pragotrade LLC warrants to the ORIGINAL RETAIL PURCHASER of this product that if operated in accordance with the printed instruction accompanying it, then for a period of 1 year from the date of purchase, the product shall be free from defects in material and workmanship.

The Warranty Card, along with a copy of the original receipt, must be received by Pragotrade LLC within 30 days from purchase date for the warranty to apply. Failure to send the completely filled out Warranty Card, along with a copy of the original receipt, will void the warranty.

The product must be delivered to or shipped freight prepaid to Pragotrade LLC for warranty services, in either its original packaging or similar packaging affording an equal degree of protection. Damage due to shipping is not the responsibility of the company. Pragotrade LLC charges a \$35.00 per hour bench charge. NOTE: No repairs will be started without the authorization of the customer. The return shipping cost to the customer will be added to the repair invoice.

Pragotrade LLC will repair (or at its discretion, replace) the product free of charge, if in the judgment of the company, it has been proven to be defective as to seller's labor and material, within the warranty period.

New or rebuilt replacements for factory defective parts will be supplied for one (1) year from the date of purchase. Replacement parts are warranted for the remainder of the original warranty period.

For non-warranty repairs, contact Pragotrade's Customer Service at 1-800-814-4895 M-F 8am-5pm EST (outside of the United States 440-638-3131) to obtain a Return Authorization Number (RMA Number). Pragotrade will refuse all returns that do not contain this number. **DO NOT RETURN THE UNIT WITHOUT PROPER AUTHORIZATION FROM PRAGOTRADE LLC.**

LIMITATIONS: The warranty is void if the product is used for any purpose other than that for which it is designed. The product must not have been previously altered, repaired, or serviced by anyone else other than Pragotrade LLC. If applicable, the serial number must not have been altered or removed. The product must not have been subjected to accident in transit or while in the customer's possession, misused, abused, or operated contrary to the instructions contained in the instruction manual. This includes failure caused by neglect of reasonable and necessary maintenance, improper line voltage and acts of nature. This warranty is not transferable and applies only to U.S. and Canadian sales.

Except to the extent prohibited by applicable law, no other warranties whether expressed or implied, including warranty merchantability and fitness for a particular purpose, shall apply to this product. Under no circumstances shall Pragotrade LLC be liable for consequential damages sustained in connection with said product and Pragotrade LLC neither assumes nor authorizes any representative or other person to assume for it any obligation or liability other than such as is expressly set forth herein. Any applicable implied warranties are also limited to the one (1) year period of the limited warranty.

This warranty covers only the product and its specific parts, not the food or other products processed in it. **CUT ALONG THE DOTTED LINE AND SEND THE WARRANTY CARD ALONG WITH A COPY OF YOUR ORIGINAL PURCHASE RECEIPT TO:**

Pragotrade LLC
20365 Progress Drive, Strongsville, OH 44149

COMMERCIAL WARRANTY CARD

SEND THIS CARD ALONG WITH A COPY OF YOUR ORIGINAL PURCHASE RECEIPT

Business Name: _____

Contact Name: _____

Address: _____

City/State/Zip: _____

Telephone Number: (_____) _____

E-Mail Address: _____

Original Date of Purchase: ____/____/____

Product Model #: _____

Serial # (if applicable): _____

HELPFUL HINTS

1. If you notice a decrease in juice output, the **Screen** may be clogged. You will need to disassemble the **Wheatgrass Juicer** (see “*Cleaning Instructions*” section of this manual) and clean the **Screen** before continuing.
2. See the “*Using the Reverse Function*” section of this manual for information on clearing a jam.
3. Spray the **Drive Shaft** of the **Motor Body** with a food-grade silicone spray after every cleaning.

WARNING!

NEVER operate Wheatgrass Juicer unless it is fully and properly assembled.

To avoid serious or fatal injury, **NEVER** reach into any inlet or outlet.
ONLY USE the Stomper to push wheatgrass into the Head.
Read and understand all information in this manual before use.

IMPORTANT SAFETY RULES



WARNING!

READ AND FULLY UNDERSTAND ALL INSTRUCTIONS AND WARNINGS PRIOR TO USING THIS UNIT. YOUR SAFETY IS MOST IMPORTANT! FAILURE TO COMPLY WITH PROCEDURES AND SAFEGUARDS MAY RESULT IN SERIOUS INJURY OR PROPERTY DAMAGE. REMEMBER: YOUR PERSONAL SAFETY IS YOUR RESPONSIBILITY!

1. Read and understand all information in this manual before using the **Wheatgrass Juicer**.
2. Clean the **Wheatgrass Juicer** before using it for the first time and every time after use. See the “*Cleaning Instructions*” section of this manual.
3. **DO NOT** use the **Wheatgrass Juicer** unless it is fully assembled and all parts are secured in place. See the “*Assembly Instructions*” section of this manual.
4. To avoid serious personal injury, **NEVER** reach into the **Head**. Use the **Stomper** to push wheatgrass into the **Head**.
5. Stay clear of the juice outlet on the bottom of the **Head**. **NEVER** insert your fingers into the juice outlet. Serious personal injury could result.
6. Disconnect the **Power Cord** from the electrical outlet before cleaning, assembling or disassembling the **Wheatgrass Juicer**.
7. Only operate the **Wheatgrass Juicer** on a level, stable surface. Make sure all of the feet touch the surface.
8. To prevent unintentional starting, make sure the **Power Switch** on the **Juicer Motor** is set to “OFF” before connecting the **Power Cord** to the electrical outlet.
9. **DO NOT** operate the **Wheatgrass Juicer** without wheatgrass in the **Head**. Damage to the **Head** and **Auger** may occur.
10. Inspect the **Power Cord** for damage before each use. **DO NOT** use the **Wheatgrass Juicer** if the **Power Cord** or any other part is damaged. **DO NOT** attempt to repair the **Wheatgrass Juicer**. Call PragoTrade at the number listed on the back of this manual for information on unit repair or replacement.
11. **DO NOT** use parts or attachments from other manufacturers on the **Wheatgrass Juicer**. Use of unauthorized parts or attachments may cause personal injury and/or unit damage and will void the warranty.
12. **DO NOT** use the **Wheatgrass Juicer** outdoors.
13. Before operating the **Wheatgrass Juicer**, tie back long hair, roll up long sleeves and remove ties, watches and jewelry.
14. Wait until all parts have stopped moving before toggling the **Wheatgrass Juicer** into “Reverse” or “Forward”.
15. **DO NOT** run the **Wheatgrass Juicer** in “Reverse” for more than 3 seconds at a time. Damage to the unit may occur.
16. **DO NOT** use the **Wheatgrass Juicer** while under the influence of drugs or alcohol.
17. **DO NOT** operate the **Wheatgrass Juicer** if the **Juicer Motor** is very cold. The temperature of the **Juicer Motor** should be at least 45°F (7°C) before use.
18. The body and **Juicer Motor** may become warm during use. This is normal. **DO NOT** touch these parts while the **Wheatgrass Juicer** is running or until they cool afterwards.
19. **WEAR EYE PROTECTION.** Wear safety glasses while operating the **Wheatgrass Juicer**. Everyday eye glasses are not safety glasses. Approved safety glasses conform to ANSI-287.1 requirements and will have Z87 printed or stamped on them.

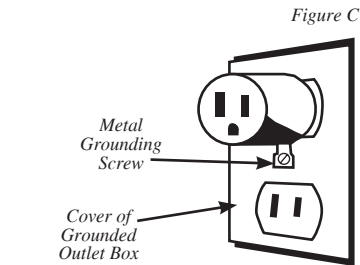
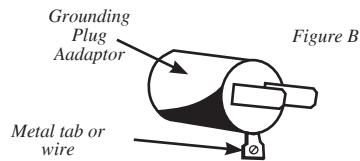
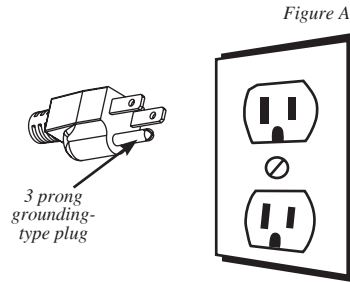
SAVE THESE INSTRUCTIONS!

Refer to them often and use them to instruct others.

GROUNDING INSTRUCTIONS

GROUNDING

This appliance must be grounded to protect the operator from electric shock during use. For this purpose, it is equipped with a three-conductor power cord and three-prong grounding-type plug (Figure A). The plug only fits three-hole electric receptacles. For the plug to fit a two-hole receptacle, you will need a Grounding Plug Adapter with a wire or metal tab (Figure B). Connect the wire/tab to the electrical outlet with the cover plate screw. The screw must be metal. The electrical box must be properly grounded (Figure C).



EXTENSION CORDS

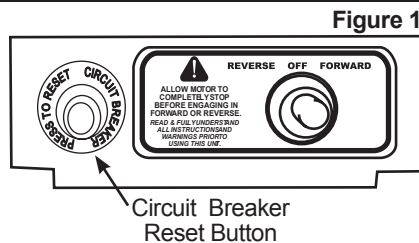
When using an extension cord with this appliance, only use a three-wire extension cord with a three-prong grounding-type plug and three-pole connector. The extension cord must have an electrical rating equal to or greater than that of the appliance. Do not use a damaged extension cord. Examine the cord before each use and replace it if necessary. Do not abuse an extension cord. Pull on the plug, not the cord, to disconnect it. Keep the extension cord away from hot surfaces and sharp edges.

CIRCUIT BREAKER INSTRUCTIONS

The **Wheatgrass Juicer** is equipped with a **Circuit Breaker** to protect it from damage due to overload or short circuit. If the **Wheatgrass Juicer** should unexpectedly stop running, take the following steps to get it running again.

1. Turn the **Power Switch** to the "OFF" position.
2. Check for possible reasons for the overload, ie. a jam in the machine or incorrect assembly.
3. Press the **Circuit Breaker Reset Button** (Figure 1).
4. Turn the **Wheatgrass Juicer** back on and resume juicing.
5. Resume normal operation.

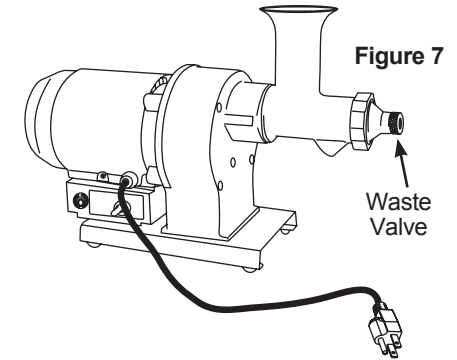
If the **Wheatgrass Juicer** still does not run, check the household circuit breaker to see if it has tripped and/or try connecting the **Power Cord** to a different electrical outlet. If these steps don't work or if the **Circuit Breaker** repeatedly trips, turn the unit off and disconnect it from the electrical outlet. **DO NOT continue to try running the Wheatgrass Juice or unit damage may occur.** Contact Pragotrade at the number on the back of this manual for information on unit repair or replacement.



WASTE VALVE SETTINGS

WARNING! Before cleaning, assembling or disassembling the **Wheatgrass Juicer**, make sure it is turned "OFF" and the **Power Cord** is disconnected from the electrical outlet.

To extract the maximum amount of juice from wheatgrass, we recommend you fully close the **Waste Valve** (Figure 7). A different setting may result in more juice, though. Experiment by adjusting the **Waste Valve** in and out. Be careful not to remove the **Waste Valve** while the **Wheatgrass Juicer** is running.



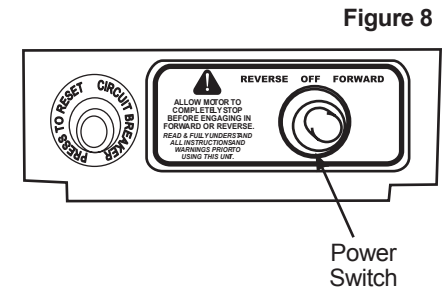
USING THE REVERSE FUNCTION

NOTICE: DO NOT run the **Wheatgrass Juicer** in reverse for more than 3 seconds at a time. Unit damage may occur.

Use the **Reverse Function** to improve flow through the **Wheatgrass Juicer** when necessary. Briefly engage "Reverse" to help clear a jam, for example.

1. Turn the **Power Switch** to the "OFF" position.
2. Wait until the **Juicer Motor** comes to a complete stop.
3. Briefly hold the **Power Switch** in the "Reverse" position (Figure 8). **DO NOT** hold the **Power Switch** in "Reverse" for more than about 3 seconds. Unit damage may occur.
4. The **Power Switch** will automatically return to "OFF" once released from the "Reverse" position.

If juice flow does not improve after engaging "Reverse", disassemble, clear the jam and clean the **Screen** holes before resuming operation.



WARNING!

NEVER operate **Wheatgrass Juicer** unless it is fully and properly assembled.
To avoid serious or fatal injury, **NEVER** reach into any inlet or outlet.
ONLY USE the Stomper to push wheatgrass into the Head.
Read and understand all information in this manual before use.

OPERATING INSTRUCTIONS

! WARNING! Before cleaning, assembling or disassembling the Wheatgrass Juicer, make sure it is turned "OFF" and the Power Cord is disconnected from the electrical outlet.

WARNING!

NEVER operate Wheatgrass Juicer unless it is fully and properly assembled.

To avoid serious or fatal injury, NEVER reach into any inlet or outlet.

ONLY USE the Stomper to push wheatgrass into the Head.

Read and understand all information in this manual before use.

1. Place a cup under the outlet on the bottom of the Head to collect juice. Place a cup or container under the Waste Valve to collect pulp (Figure 6).

2. Fill the Head with wheatgrass.

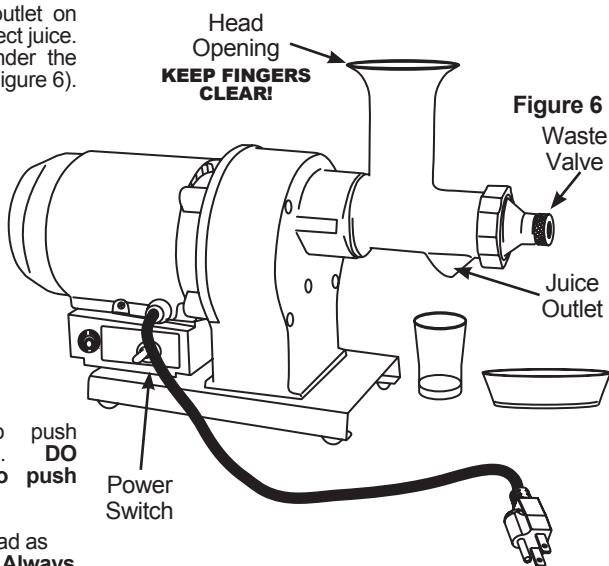
3. Make sure the Power Switch is in the "OFF" position. Connect the Power Cord on the Juicer Motor to an electrical outlet.

4. Turn the Wheatgrass Juicer "ON" by pushing the Power Switch to the "Forward" position.

5. Use the Stomper to push wheatgrass into the Head. DO NOT use your fingers to push wheatgrass into the Head!

6. Add wheatgrass to the Head as needed to keep juice flowing. Always be careful. Keep your fingers clear of the Head Opening.

7. Turn the Wheatgrass Juicer "OFF" and disconnect the Power Cord from the electrical outlet when you are done.



PRIOR TO USE

Clean and sanitize the Wheatgrass Juicer as indicated in the "Cleaning Instructions" section of this manual before using it for the first time.

DO NOT IMMERSE THE JUICER MOTOR IN WATER OR OTHER LIQUIDS.

DISASSEMBLY INSTRUCTIONS

! WARNING! Before cleaning, assembling or disassembling the Wheatgrass Juicer, make sure it is turned "OFF" and the Power Cord is disconnected from the electrical outlet.

1. Turn the Wheatgrass Juicer to the "OFF" Position. Disconnect the Power Cord on the Juicer Motor from the electric outlet.
2. Loosen the Head Aligning Cap (on the Head) by turning it clockwise. DO NOT REMOVE the Head Aligning Cap at this time. Use the Head Aligning Cap Wrench if necessary.
3. Loosen the Head Locking Screw on the Juicer Motor until it releases the Head Assembly.
4. Remove the Head Assembly from the Juicer Motor.
5. Unscrew the Head Aligning Cap from the Head by turning it clockwise.
6. Unscrew the Waste Valve from the Head Aligning Cap by turning it clockwise.
7. Remove the Rubber Gasket from the Head Aligning Cap.
8. Remove the Auger and Screen from the Head.
9. Allow the parts to air-dry before reassembling and storing the Wheatgrass Juicer.
10. The Wheatgrass Juicer is NOT dishwasher safe.

CLEANING INSTRUCTIONS

! WARNING! Before cleaning, assembling or disassembling the Wheatgrass Juicer, make sure it is turned "OFF" and the Power Cord is disconnected from the electrical outlet.

JUICER MOTOR

1. Make sure the Power Cord on the Juicer Motor is disconnected from the electric outlet.
2. Clean the Juicer Motor by wiping it with a damp cloth. NEVER immerse the Juicer Motor in water or other liquid. DO NOT spray the Juicer Motor with water.
3. Dry the Juicer Motor before storing it.

HEAD ASSEMBLY, STOMPER & HEAD ALIGNING CAP WRENCH

1. Fill a sink with hot water. Maintain a water temperature of at least 140°F (60°C) throughout the washing process.
2. Add a manual dishwashing detergent formulated for commercial use to the water per the manufacturer's instructions.
3. Place all parts to be washed in a sink.
4. Thoroughly wash all parts with a sponge or dishcloth. Be sure to fully remove any food residue from each part.

5. After washing, drain the sink and refill it with warm water.
6. Rinse the parts by submerging them in water. Change the water and repeat, if necessary, to remove all of the detergent.
7. When done rinsing, drain the sink and refill it with a sanitizing solution of water and chlorine bleach (use 1 ounce of chlorine bleach per 4 gallons of water). Soak the parts in the solution for a minimum of 5 minutes.
8. Remove the parts from the sink.
9. Allow the parts to air-dry before reassembling and storing the **Wheatgrass Juicer**.

NOTE! The **Wheatgrass Juicer** is NOT dishwasher safe.

ASSEMBLY INSTRUCTIONS

WARNING! Before cleaning, assembling or disassembling the **Wheatgrass Juicer**, make sure it is turned "OFF" and the Power Cord is disconnected from the electrical outlet.

1. Slide the **Screen** (curved side down) into the slot on the inside bottom of the **Head** until it stops. Make sure both sides of the **Screen** are within the slot (Figure 2).

CAUTION: Make sure **Screen** is properly seated in the slot before operation or unit damage will occur.

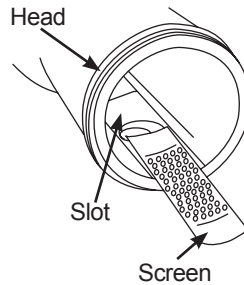


Figure 2

2. Place the **Auger Bearing** onto the splined end of the **Auger**. Insert the **Auger** into the open end of the **Head** until it stops. The splines on the end of the **Auger** should protrude from the opposite end of the **Head** (Figure 3).

3. Place the **Rubber Gasket** onto the flat surface on the inside of the **Head Aligning Cap** below the threads. The **Rubber Gasket** is properly installed when it lays flat on the surface (Figure 4).

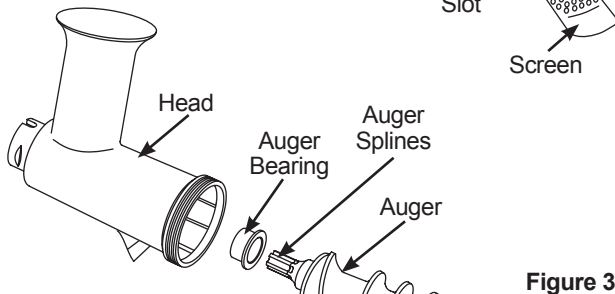


Figure 3

4. Screw the **Head Aligning Cap** counterclockwise onto the **Head** until it is firmly seated.

5. Screw the **Waste Valve** counterclockwise into the tip of the **Head Aligning Cap** until it stops.

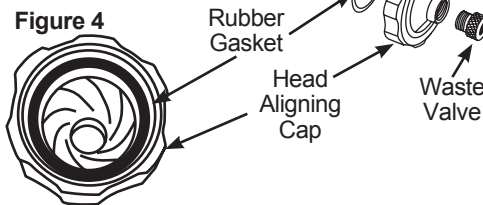


Figure 4

7. Loosen the **Head Locking Screw** on the **Juicer Motor** until it no longer protrudes into the receptacle for the **Head Assembly** (Figure 4).

8. Install the **Head Assembly** onto the **Juicer Motor**. You will need to align the cutout on the **Head** with the pin inside

the receptacle (Figure 5). Align the **Auger Splines** with the keyways on the drive shaft of the **Juicer Motor**. If the parts do not align, rotate the **Auger** end (it protrudes from the **Head**) a bit and try again. Wiggling the **Head Assembly** during installation may help as well.

IMPORTANT: Tighten the **Head Locking Screw** until it firmly holds the **Head Assembly** in place.

CAUTION! DO NOT operate the **Wheatgrass Juicer** without the **Head Assembly** firmly secured into place. Personal injury or unit damage may occur.

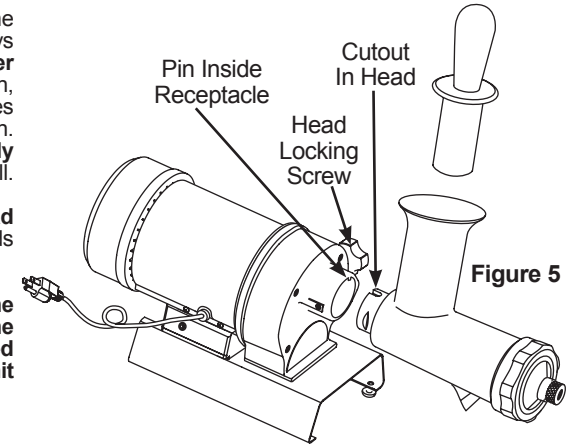


Figure 5

WARNING!

NEVER operate **Wheatgrass Juicer** unless it is fully and properly assembled.
To avoid serious or fatal injury, **NEVER** reach into any inlet or outlet.
ONLY USE the **Stomper** to push wheatgrass into the **Head**.
Read and understand all information in this manual before use.